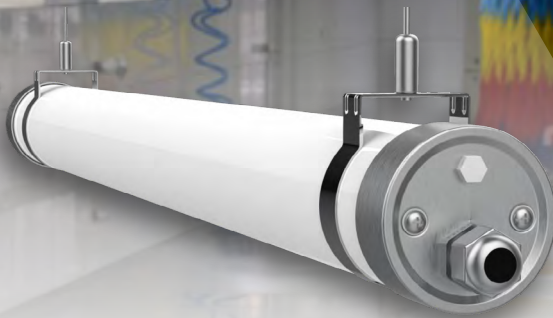


# DL-A-VTP

*SERIES*

Vapor Tight Harsh Environment Lighting



A linkable, IP69K, tri-proof light perfect for car washes, farms, and other harsh environments.

The DL-A-VTP Series harsh environment lights feature sleek, linkable vapor tight housings that can withstand high-pressure washdowns of up to 1,450 psi while remaining free from corrosion, dirt, insects, moisture, and bacteria. The cylindrical design allows for 360° lighting with an adjustable beam angle to direct light precisely where it's needed.

## Product Features

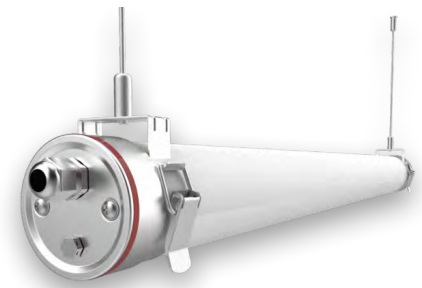
- Sleek, linkable cylindrical design
- IP69K rating with a nonporous, sealed design
- Easy tool-free installation with buckle clip bracket
- Lamp angle can be adjusted 360°
- 5,000K Color Temperature

## BENEFITS OF LED BAY LIGHTING

- Instant On - No Warm-Up Period
- Reduced Energy Consumption
- Maintenance Free
- Long Life Expectancy
- Durability
- Superior Light Quality
- High Efficiency

# DL-A-VTP *SERIES*

Vapor Tight Harsh Environment Lighting



## Product Specifications



**Electrical:**

Input Voltage: 110 to 277 VAC  
Input Frequency: 60 Hertz



**Photometric:**

Lumen Range: 3,080 to 6,600  
Wattage Range: 28 to 60 Watts  
Color Temperature (CCT): 5,000K



**Rated Life:**

50,000 hours



**Mounting:**

Surface or Suspended



**Housing:**

Heavy duty aluminum



**Certifications:**

ETL, cETL



**Limited Warranty:**

5-Year

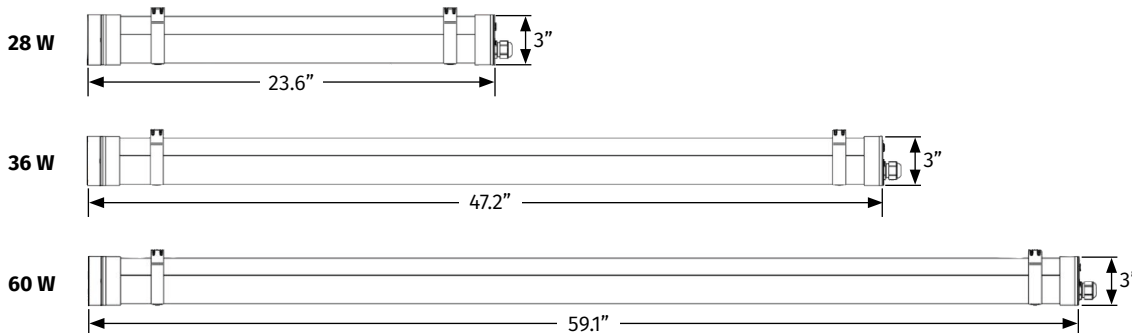
## Available Models

MODEL #	TYP. MOUNTING HEIGHTS	LUMENS	WATTS	LUMENS /WATT	CRI	BEAM ANGLE	WEIGHT	LENGTH	HEIGHT
DL-A-VTP 28	12' to 34'	3,080	28	110	80	120°	2.9 lbs.	23.6"	3"
DL-A-VTP 36	16' to 34'	3,960	36	110	80	120°	4.65 lbs.	47.2"	3"
DL-A-VTP 60	18' to 34'	6,600	60	110	80	120°	5.6 lbs.	59.1"	3"

This Lumerica LED lighting fixture must be installed correctly. The contractor, owner, installer, purchaser, and user is responsible for installing, maintaining, and operating the light fixture in compliance with all state and local laws, ordinances, regulations, and the American National Standards Institute (ANSI) Safety Code.

The validity of the product warranty is subject to the correct storage, installation, operation, and maintenance of this product. Failing to comply with proper storage, installation, operation, and maintenance routines will make the warranty invalid. Specifications subject to change without notice.

### Dimensions



**LUMERICA**  
— BE BOLD. BE BRIGHT. —

21400 Hoover Road, Warren, Michigan 48089 USA  
+1.248.543.8085 | sales@lumerica.com

[www.LUMERICA.com](http://www.LUMERICA.com)



Form No. LMDLAVTP\_09/24 (DRPC)