

DU-A-NHB Series

UFO LED Lighting

Installation, Operation, and Maintenance Manual



With available plug-and-play motion or daylight sensors, Zigbee wireless gateway, and various mounting accessories, the DU-A-NHB series is truly innovative. With so many accessory options, a compact body, and great value, the DU-A-NHB series is the perfect choice for a multitude of applications.

WARNING



Improper installation, adjustment, alteration, service, or maintenance can cause property damage, injury, or death. Read and understand the installation, operation, and maintenance instructions thoroughly before installing or servicing this equipment.

Specifications

The Lumerica DU-A-NHB series LED lights are designed for use in mid- to high-bay applications. Ideal for factories, warehouses, retail, architectural lighting, and more, these lights have an input voltage of 110 to 277 VAC, a frequency of 60 Hz, and a rated life of 50,000 hours.

⚠ WARNING



To avoid the risk of fire, explosion, or electric shock, this product should be installed, inspected, and maintained by a qualified electrician only in accordance with all applicable electrical codes.

To avoid electric shock:

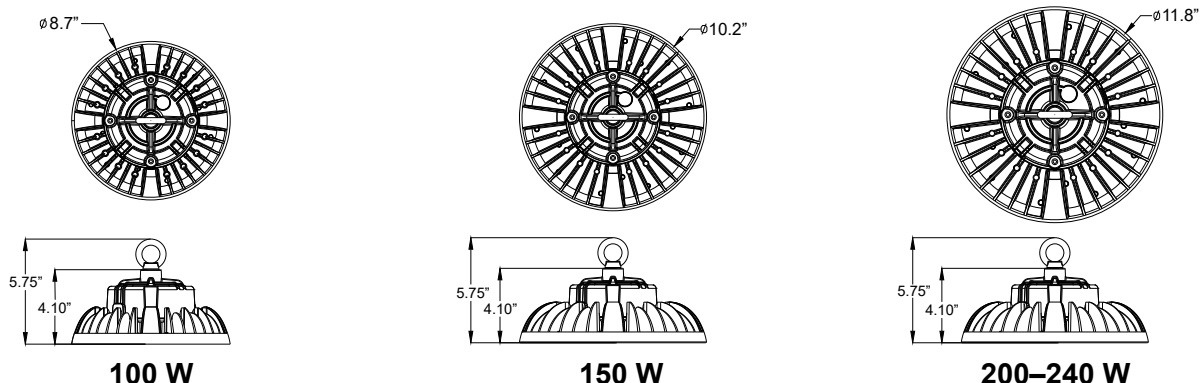
- Be certain electrical power is OFF before and during installation and maintenance.
- Luminaire must be connected to a wiring system with an equipment-grounding conductor.
- Make sure the supply voltage is the same as the rated luminaire voltage.
- Do not operate in ambient temperatures above those indicated on the luminaire nameplate.
- No user serviceable parts inside of fixture. Removal of lens will void the warranty.

Chart 1 • LED Lighting Specifications

Model	Typical Mounting Height	Color Temp.	Watts (w) @277 VAC	Lumens	Lumens / Watt	CRI	Beam Angle	Weight	Length	Height
DU-A-NHB 100	12' to 20'	5,000K	100	14,000	140	70	120°	6 lbs.	8.7"	5.75"
DU-A-NHB 150	14' to 22'	5,000K	150	21,000	140	80	120°	6 lbs.	10.2"	5.75"
DU-A-NHB 200	16' to 24'	5,000K	200	28,000	140	80	120°	8 lbs.	11.8"	5.75"
DU-A-NHB 240	18' to 26'	5000K	240	33,600	140	80	90°	8 lbs.	11.8"	5.75"
DU-A-NHBF 240*	18' to 26'	5,000K	240	33,600	140	80	120°	8 lbs.	11.8"	5.75"

* Model has a frosted lens.

Figure 1 • Dimensions



Electrical, Maintenance, and Care

Electrical Connections

NOTE: This fixture is equipped with a universal voltage driver for 110 to 277 VAC (i.e. 120 V, 208 V, 240 V, or 277 V)

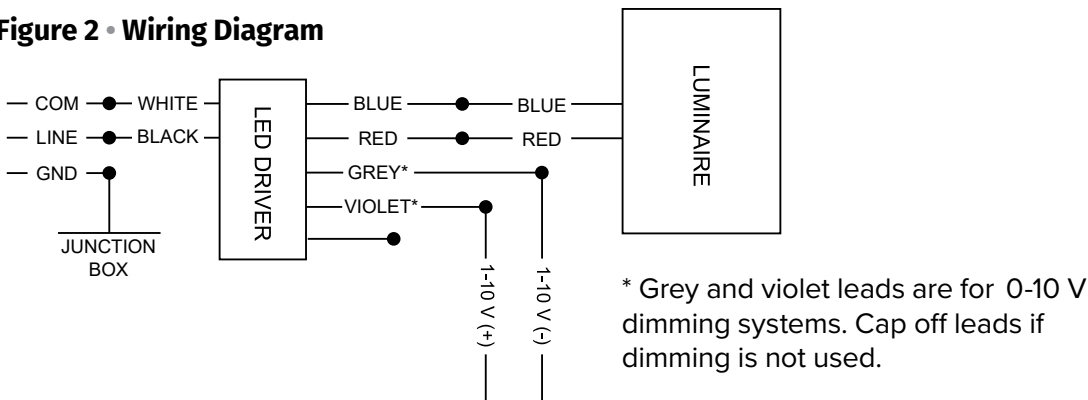
PHASE TO NEUTRAL WIRING FOR 120/277 VAC

- 1 Connect the supply ground to the fixture ground wire (green).
- 2 Connect the supply common to the fixture neutral wire (white).
- 3 Connect the supply V in to the fixture hot wire (black).
- 4 Carefully tuck all wires into the wiring chamber taking care to ensure that no wires are pinched.

PHASE TO PHASE WIRING FOR 208/240 VAC

- 1 Connect the supply ground to the fixture ground wire (green).
- 2 Connect the supply L1 (hot) to the fixture neutral wire (white).
- 3 Connect the supply L2 (hot) in to the fixture hot wire (black).
- 4 Carefully tuck all wires into the wiring chamber taking care to ensure that no wires are pinched.

Figure 2 • Wiring Diagram



Maintenance and Care

⚠ CAUTION

To avoid personal injury, disconnect power to the light and allow the unit to cool down before performing maintenance.

Visual, mechanical, and electrical inspections should be performed regularly. Routine checks at least once a year are recommended. Frequency of use and environmental conditions may require more than one routine check per year. The Electrical Preventative Maintenance Program, described in NFPA 70B: Recommended Practice of Electrical Equipment, should be followed.

Regular lens cleaning is essential to maintaining the equipment’s photometric performance. Clean the lens with a damp, non-abrasive, lint-free cloth. Use mild soap or a liquid cleaner if a damp cloth is insufficient. Remember, do not use an abrasive, strong alkaline, or acid cleaner, as damage may occur.

Inspect the luminaire’s cooling fins to ensure they are free of obstructions or contamination (e.g., excessive dust build-up). If needed, clean with a non-abrasive cloth. Electrical connections and wires should be checked for exposed wires and overall circuit integrity.

Limited Warranty

Five-Year Limited Warranty: Lumerica (hereinafter referred to as the Company) warrants to the original purchaser or original user that all Lumerica Lighting Systems sold by it and all parts thereof are free from defects in materials or workmanship under normal use and service. The Company's sole obligation under this warranty shall be limited to furnishing replacement parts, F.O.B. Warren, Michigan, for 60 months from the date of initial installation of the light, but not to exceed 66 months from the date of shipment by the Company of the lighting system, for any parts which the Company's examination shall disclose to its satisfaction to be defective. Defective parts are to be returned to the company, transportation charges prepaid.

General Conditions: The warranties set out in this certificate are the exclusive remedy of the original owner or user in lieu of all other warranties written, oral, or implied (including any warranty of merchantability or fitness for the purpose) and all other obligations or liabilities on the part of the Company, and the Company neither assumes nor authorizes any person to assume for it any other obligation or liabilities on the part of the Company, and the Company neither assumes nor authorizes any person to assume for it any other obligation or liability in connection with the sale, installation, or use of the lighting system or any parts thereof.

The Company will not be responsible for labor charges for the analysis of a defective condition in the lighting system for the installation of replacement parts. The warranties provided herein will not apply if the lighting system in the judgement of the Company has been subjected to misuse, excessive dust, improper conversion, negligence, accident, corrosive atmospheres, excessive thermal shock, excessive vibration, physical damage to the lighting system, alterations by unauthorized service personnel, operation contrary to the Company's instructions, or if the serial number has been altered, defaced, or removed. The Company shall not be liable for any default or delay in the performance of these warranties caused by contingency beyond its control, including war, government restriction or restraints, strikes, fire, flood, short or reduce supply of raw materials, or parts.

The warranties herein shall be null and void if the lighting system is not installed by a competent electrical contractor and/or if the lighting system is not installed according to, and repaired according to, the Company's instructions. Normal product degradation and wear (rust, oxidation, etc.) does not constitute a material defect and applicable warranty claim.

Written permission is required for the return of any parts or equipment and any such return must be made on the basis of transportation charges prepaid. Shipment may be refused unless prior written permission is obtained and good returned prepaid.

This warranty applies only within the United States.

© 2024 Lumerica

21400 Hoover Road, Warren, MI 48089
 Phone: (248) 543-8085 | Fax: (248) 598-2400
www.lumerica.com | sales@lumerica.com

